

**GLB-150C**  
 **GLB-150ORB**

**GLB-150SS**

gemline

## Single Handle Pullout Kitchen Faucet

Product Spec Sheet



### FEATURES & BENEFITS

- This Product Contains Less Than 0.25% Weighted Average Lead Content On Wetted Surfaces
- Metal Lever Handle
- Ceramic Cartridge
- 1 Or 3 Hole Installation
- Optional Deck Plate Included
- Max Flow Rate 1.5 GPM (5.7 L/MIN) At 60 PSI (ASME A112.18.1M/A112.18.1)

#### APPROVALS:

Meets or Exceeds The Following:

- \* ANSI/ASME A112.18.1M/A112.18.1
- \* NSF/ANSI 61 - Sec. 9
- \* NSF/ANSI 372
- \* IAPMO/cUPC
- \* CA AB1953

GLB-150C  
Chrome Finish

GLB-150SS  
Stainless Steel Finish

GLB-150ORB  
Oil Rubbed Bronze Finish



NSF/ANSI 372  
NSF/ANSI 61-9



**TEL:** 888-649-0605

**FAX:** 877-892-1950

Visit Our Web Site : [www.gemlinefaucets.com](http://www.gemlinefaucets.com)

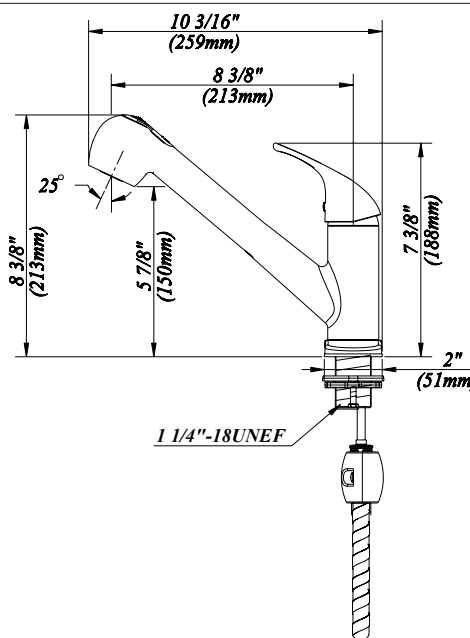
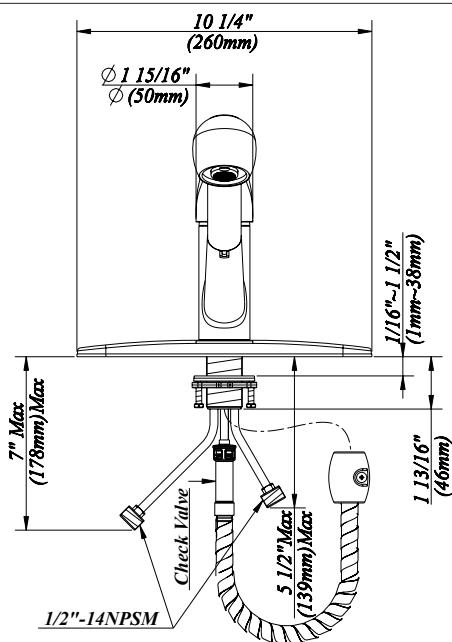
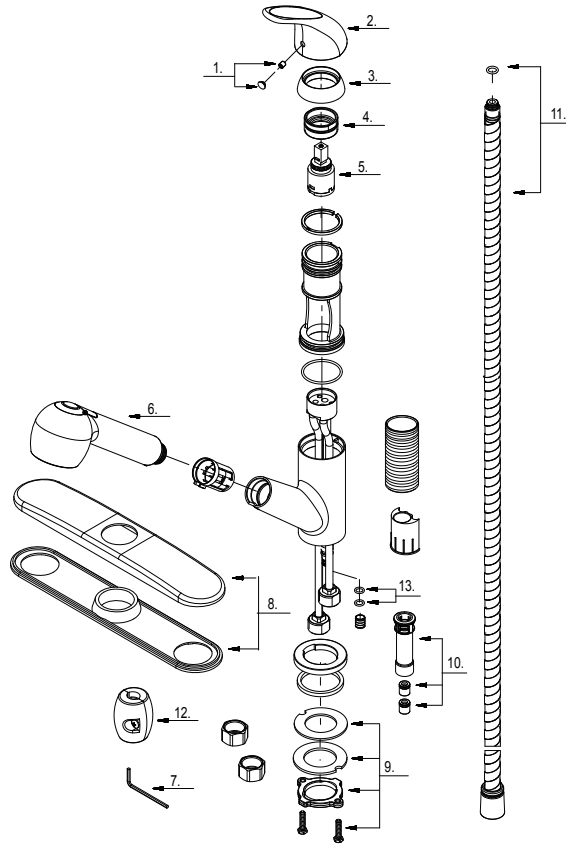
**GLB-150C**  
 **GLB-150ORB**

**GLB-150SS**

gemline

# Single Handle Pullout Kitchen Faucet

No.	Name	Part No.
1	Index Button-Hot/Cold	A66D569
2	Metal Handle	A069795
3	Trim Cap	A103290-P
4	Locking Nut	A104049
5	Ceramic Disc Cartridge	A507906N
6	Handle Spray w/Check Valve	A523227N-51
7	Hex Wrench (H2.5 * 19 mm L * 53 mm L)	A031000NI
8	Cover Plate & Putty Plate	A667094
9	Mounting Hardware Assembly	A603171
10	Shank Adaptor Assembly	A66G142N
11	Spray Hose	A66D561N
12	Weight	A504718
13	O-Ring (Φ1/4" ID * Φ3/8" OD)	A668178N



Product Spec Sheet