

- GLB-151C**
- GLB-151SS**
- GLB-151ORB**

gemline

## Single Handle Pulldown Kitchen Faucet

# Product Spec Sheet



### FEATURES & BENEFITS

- This Product Contains Less Than 0.25% Weighted Average Lead Content On Wetted Surfaces
- Metal Lever Handle
- Ceramic Cartridge
- Optional Deck Plate Included
- Max Flow Rate 1.8 gpm (6.8 L/min) at 60 psi (ASME A112.18.1M/A112.18.1)

GLB-151C  
Chrome Finish

GLB-151SS  
Stainless Steel Finish

GLB-151ORB  
Oil Rubbed Bronze Finish

#### APPROVALS:

Meets or Exceeds The Following:

- \* ANSI/ASME A112.18.1M/A112.18.1
- \* NSF/ANSI 61 - Sec. 9
- \* NSF/ANSI 372
- \* IAPMO/cUPC
- \* CA AB1953



NSF/ANSI 372  
NSF/ANSI 61-9



**TEL:** 888-649-0605

**FAX:** 877-892-1950

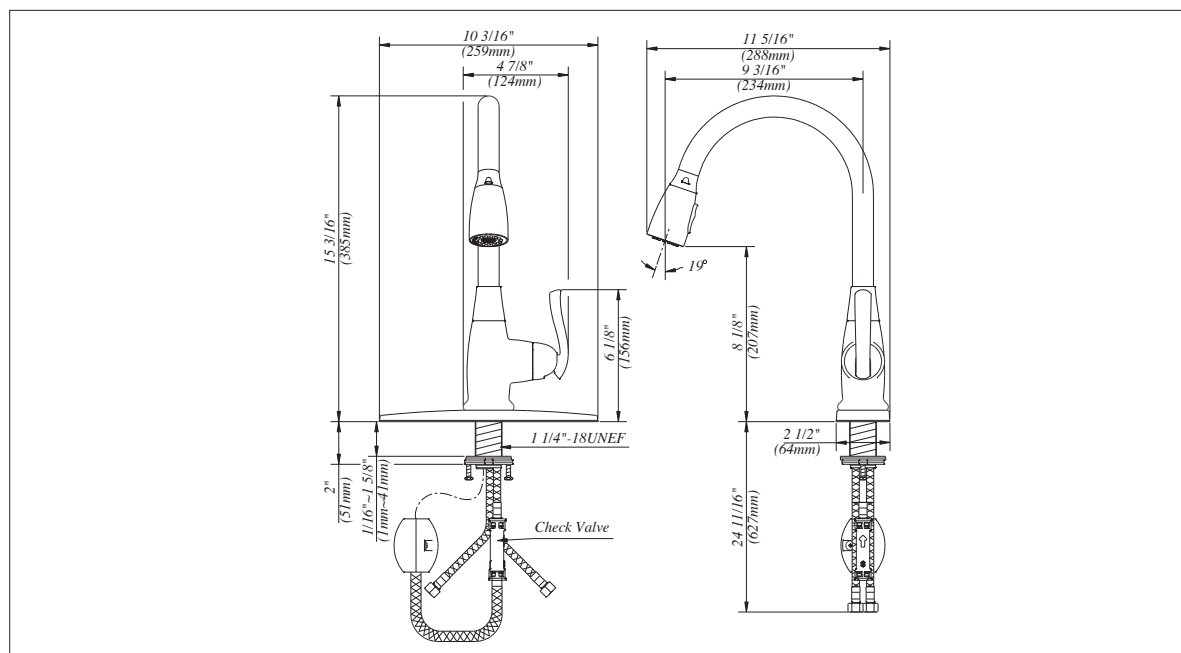
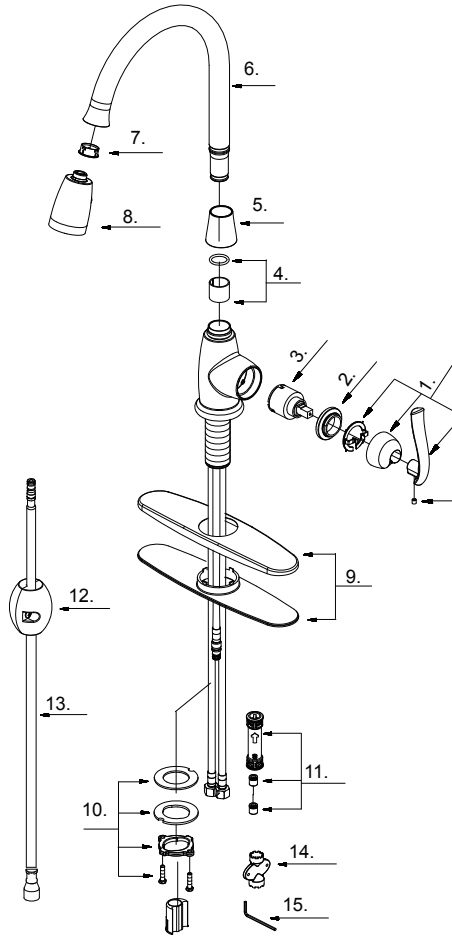
Visit Our Web Site : [www.gemlinefaucets.com](http://www.gemlinefaucets.com)

**GLB-151C**       **GLB-151SS**  
 **GLB-151ORB**

gemline

# Single Handle Pulldown Kitchen Faucet

No.	Name	Part No.
1	Metal Handle Assembly	A66E577
2	Locking Nut	A104333
3	Ceramic Disc Cartridge	A507348N
4	Spout Seal Kit	A66D509
5	Spout Base	A000092
6	Spout	A139893
7	Hose Guide	A126048KP
8	Hand Spray w/Check Valve	A523178W-54
9	Cover Plate & Putty Plate	A66F105NP
10	Mounting Hardware Assembly	A663134
11	Hose Adaptor Assembly	A663123N
12	Weight	A504713
13	Spray Hose	A515111W
14	Aerator Wrench	(18.5 * 16.5 * 42 * 43 mm) A031237GR
15	Wrench	(H 2.5 * 19 mm L * 53 mmL) A031000NI



Product Spec Sheet