

□ **GLB-152C**

□ **GLB-152SS**

gemline

Single Handle Pull Down Kitchen Faucet

Product Spec Sheet



FEATURES & BENEFITS

- This Product Contains Less Than 0.25% Weighted Average Lead Content On Wetted Surfaces
- Optional Metal Deck Plate Included
- One Hole Or Three Hole Installation
- Ceramic Cartridge
- Integrated Supply Lines
- Quick Install Nut
- Max Flow Rate 1.8 gpm(6.8L/min) at 60 psi (ASME A112.18.1/A112.18.1)

GLB-152C
Chrome Finish

GLB-152SS
Stainless Steel Finish

Approvals:

Meets or Exceeds The Following:

- * ANSI/ASME A112.18.1/A112.18.1
- * NSF/ANSI 61 - Sec. 9
- * NSF/ANSI 372
- * IAPMO/cUPC
- * CA AB1953
- * ADA Compliant
- * NSF/ANSI/CAN 61: Q ≤ 1



TEL: 888-649-0605

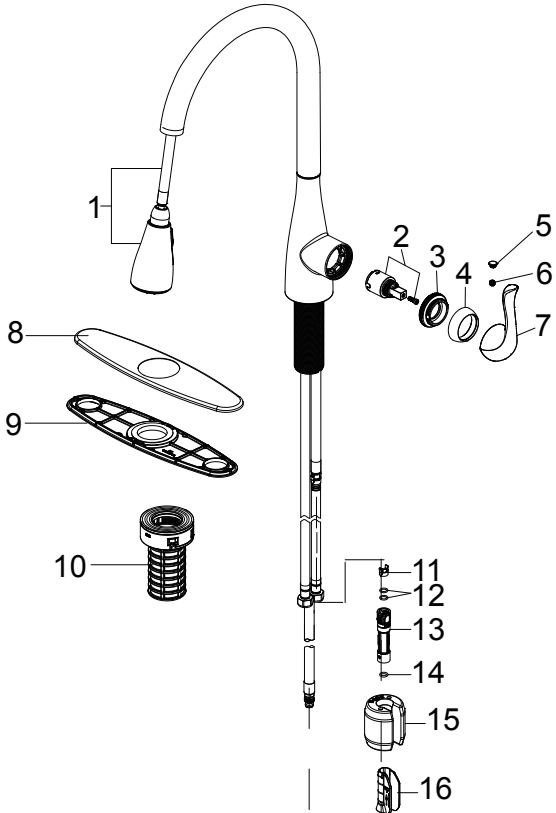
FAX: 877-892-1950

Visit Our Web Site : www.gemlinefaucets.com

Single Handle Pull Down Kitchen Faucet

Product Spec Sheet

No.	Name	Part No.
1	Spray head and Hose / Cabezal rociador y manguera	RP38539*
2	Cartridge / Cartucho	RP20103
3	Bonnet / Bonete	RP70688
4	Cap / Tapa	RP80028*
5	Index / Índice	RP10006
6	Set screw / Tornillo de fijación	RP50002
7	Handle / Llave	RP13857*
8	Escutcheon / Placa protectora	RP80542*
9	Gasket / Junta	RP80830
10	Quick install nut / Tuerca de instalación rápida	RP56096
11	Block / Bloque	RP70421
12	O-ring / Aro tórico	RP60002
13	Quick connect assembly / Ensamblaje del conector rápido	RP70697
14	O-ring / Aro tórico	RP60089
15	Weight / Peso	RP70689
16	Weight clip / Sujetador con peso	RP70590



* Specify Finish
* Especificque el Acabado

