

GLB-420C
 GLB-420ORB

GLB-420BN

gemline

4" Two Handle Lavatory Faucet

Product Spec Sheet



FEATURES & BENEFITS

- This Product Contains Less Than 0.25% Weighted Average Lead Content On Wetted Surfaces
- Metal Lever Handles
- Ceramic Cartridges
- Brass Pop-up
- Max Flow Rate 1.2 GPM (4.5 L/MIN) At 60 PSI (ASME A112.18.1M/A112.18.1)

GLB-420C
Chrome Finish

GLB-420BN
Brushed Nickel Finish

GLB-420ORB
Oil Rubbed Bronze Finish

APPROVALS:

Meets or Exceeds The Following:

- * ANSI/ASME A112.18.1M/A112.18.1
- * NSF/ANSI 61 - Sec. 9
- * NSF/ANSI 372
- * IAPMO/cUPC
- * CA AB1953



NSF/ANSI 372
NSF/ANSI 61-9



TEL: 888-649-0605

FAX: 877-892-1950

Visit Our Web Site : www.gemlinefaucets.com

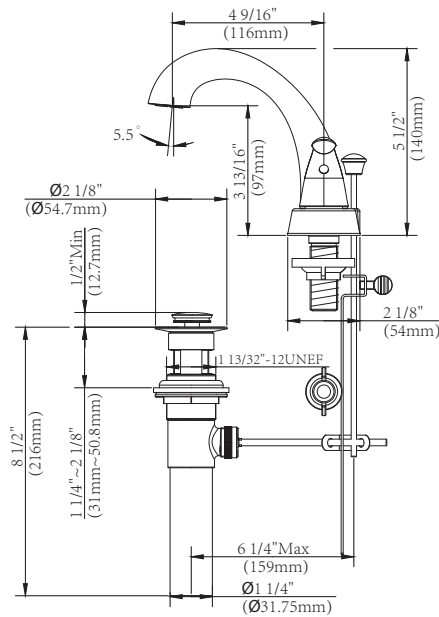
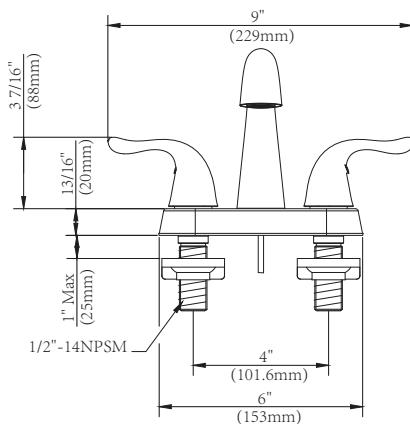
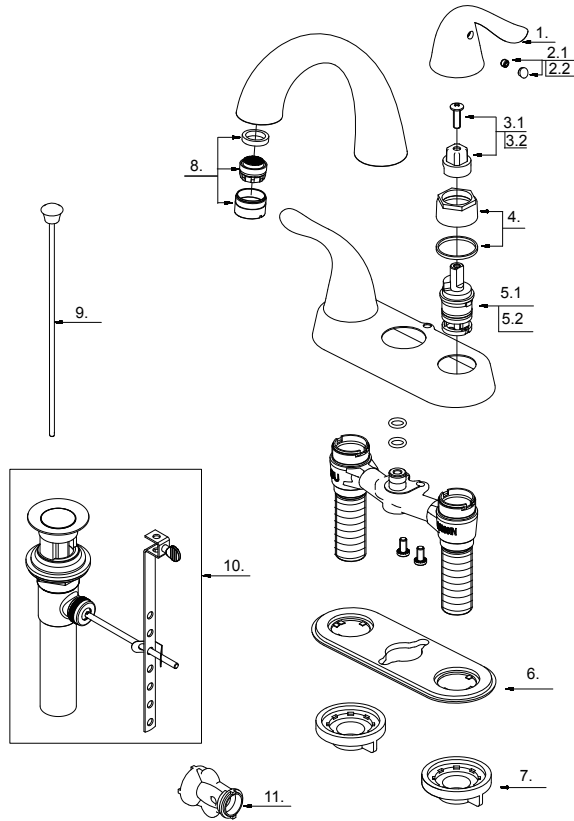
□ **GLB-420C**
 □ **GLB-420ORB**

□ **GLB-420BN**

gemline

4" Two Handle Lavatory Faucet

No.	Name	Part No.
1	Metal Handle	A069115
2.1	Index Button-Cold	A66G361C
2.2	Index Button-Hot	A66G361H
3.1	Handle Adaptor-Cold	A66D574C
3.2	Handle Adaptor-Hot	A66D574H
4	Retainer Nut & Washer	A663629
5.1	Ceramic Disc Cartridge -Cold	A507104N
5.2	Ceramic Disc Cartridge -Hot	A507103N
6	Putty Plate	A011367NF
7	Lock Nut Set	A504023
8	Aerator	A500026N-51-T
9	Lift Rod	A025098
10	Pop-up Assembly	A505016
10	Pop-up Assembly (for ORB)	A505200
11	Wrench	A031245 (20.6 * 27.4 * 40 * 36 mm)



Product Spec Sheet

TEL: 888-649-0605 FAX: 877-892-1950

Visit Our Web Site : www.gemlinefaucets.com