

4" Two Handle Bar Faucet

Product Spec Sheet



FEATURES & BENEFITS

GLC-320CB
Chrome Finish

- This Product Contains Less Than 0.25% Weighted Average Lead Content On Wetted Surfaces
- Wrist Blade Handles
- Washerless Cartridges
- Max Flow Rate 1.5 GPM (5.7 L/MIN) At 60 PSI (ASME A112.18.1M/A112.18.1)

APPROVALS:

Meets or Exceeds The Following:

- * ANSI/ASME A112.18.1M/A112.18.1
- * NSF/ANSI 61 - Sec. 9
- * NSF/ANSI 372
- * IAPMO/cUPC
- * CA AB1953



NSF/ANSI 372
NSF/ANSI 61-9



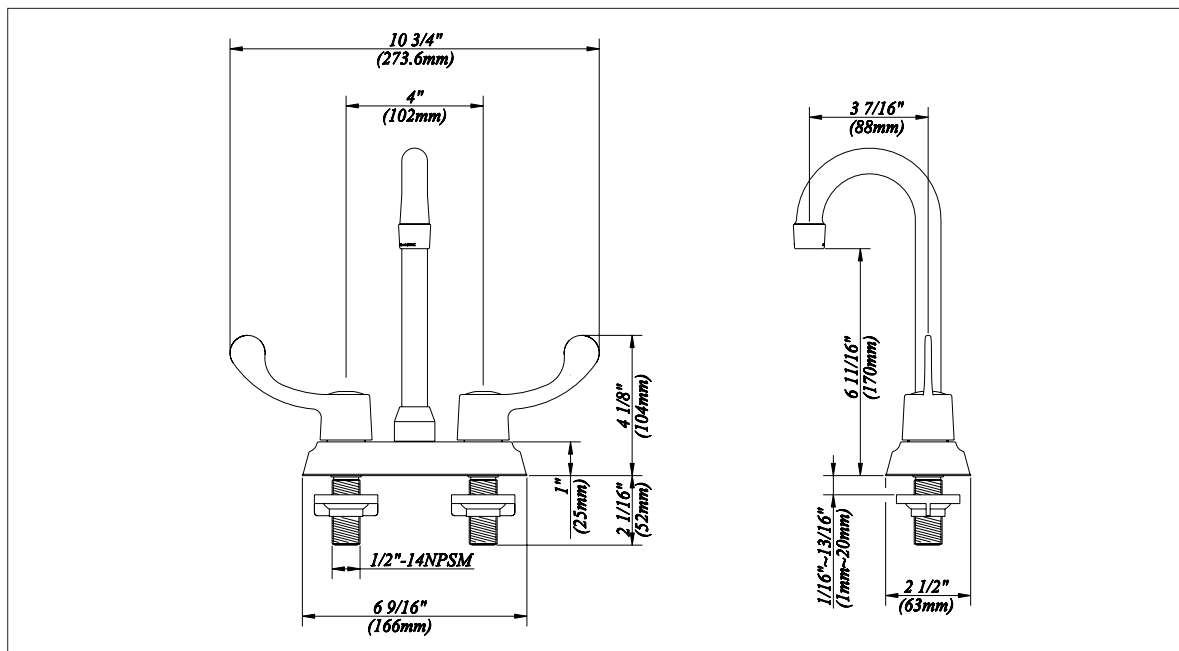
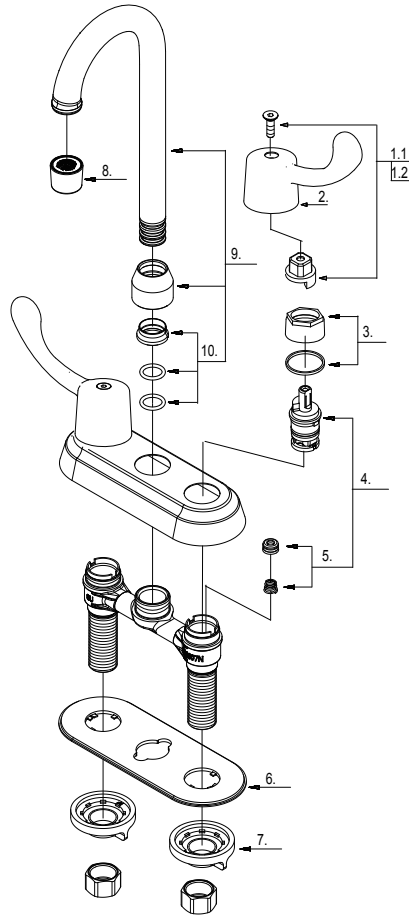
TEL: 888-649-0605

FAX: 877-892-1950

Visit Our Web Site : www.gemlinefaucets.com

4" Two Handle Bar Faucet

No.	Name	Part No.
1.1.	Handle Adaptor-Cold	A663306C
1.2.	Handle Adaptor-Hot	A663306H
2.	Metal Handle	A069796
3.	Retainer Nut & Washer	A663629
4.	Cartridge Assembly	A66D636N
5.	Seat & Spring Set * 2	A663002
6.	Putty Plate	A011076
7.	Lock Nut Set	A504023
8.	Aerator	A500871N-51
9.	Spout Assembly	A666090N
10.	Spout Seal Kit	A603235N



Product Spec Sheet