

4" Two Handle Lavatory Faucet

Product Spec Sheet



FEATURES & BENEFITS

- This Product Contains Less Than 0.25% Weighted Average Lead Content On Wetted Surfaces
- Metal Wing Handles
- Washerless Cartridges
- Brass Pop-up
- Max Flow Rate 1.2 gpm (4.5 L/min) at 60 psi (ASME A112.18.1M/A112.18.1)

GLC-400C
Chrome Finish

GLC-400CL
Less Pop-up
Chrome Finish

APPROVALS:

Meets or Exceeds The Following:

- * ANSI/ASME A112.18.1M/A112.18.1
- * NSF/ANSI/CAN 61 – Sec. 9: Q≤1
- * NSF/ANSI/CAN 372
- * IAPMO/cUPC
- * CA AB1953



NSF/ANSI/CAN 372
NSF/ANSI/CAN 61 & 9.1



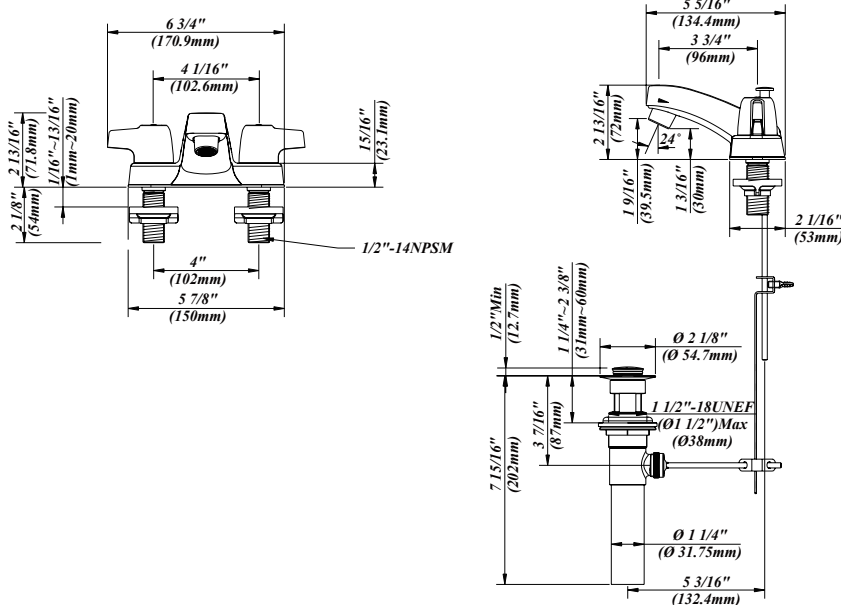
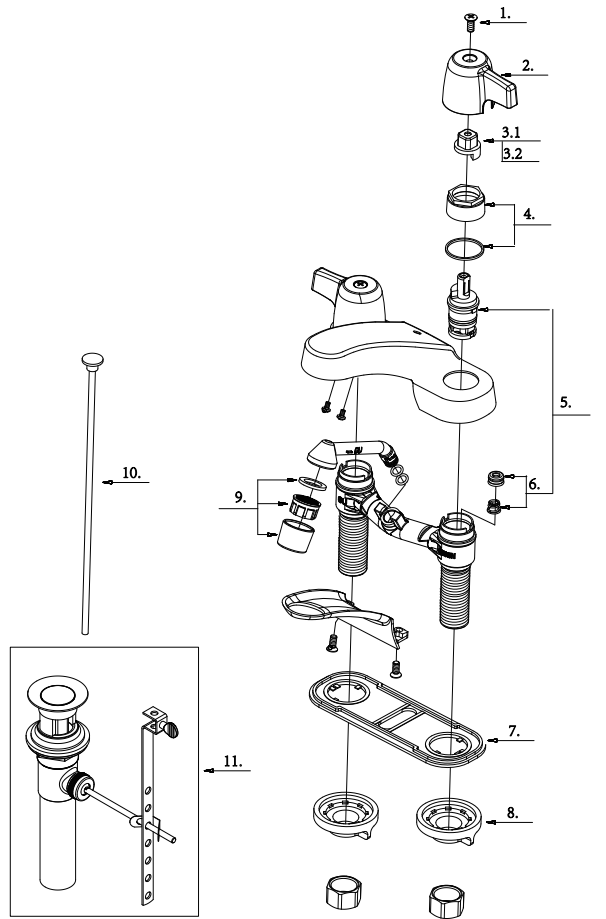
TEL: 888-649-0605

FAX: 877-892-1950

Visit Our Web Site : www.gemlinefaucets.com

4" Two Handle Lavatory Faucet

No.	Name	Part No.
1	Screw (3/16" -24 * 7/16" L)	A008049
2	Metal Handle	A069790
3.1	Handle Adaptor-Cold	A110039C
3.2	Handle Adaptor-Hot	A110039H
4	Retainer Nut & Washer	A663631
5	Cartridge Assembly	A66D636N
6	Seat & Spring Set	A663002
7	Putty Plate	A011034
8	Lock Nut Set	A504023
9	Aerator	A500267N-64
10	Lift Rod	A025028
11	Pop-up Assembly	A556200



Product Spec Sheet