

- GLC-500C**
- GLC-500BN**
- GLC-500CL**
- GLC-500BNL**

gemline

## 4" Single Handle Lavatory Faucet

# Product Spec Sheet



### FEATURES & BENEFITS

- This Product Contains Less Than 0.25% Weighted Average Lead Content On Wetted Surfaces
- Metal Lever Handle
- Stainless Steel Ball Valve
- Brass Pop-up
- Max Flow Rate 1.2 GPM (4.5 L/MIN) At 60 PSI (ASME A112.18.1M/A112.18.1)

#### APPROVALS:

Meets or Exceeds The Following:

- \* ANSI/ASME A112.18.1M/A112.18.1
- \* NSF/ANSI 61 - Sec. 9
- \* NSF/ANSI 372
- \* IAPMO/cUPC
- \* CA AB1953

GLC-500C  
Chrome Finish

GLC-500BN  
Brushed Nickel Finish

GLC-500CL  
Less Pop-up  
Chrome Finish

GLC-500BNL  
Less Pop-up  
Brushed Nickel Finish



NSF/ANSI 372  
NSF/ANSI 61-9



**TEL:** 888-649-0605

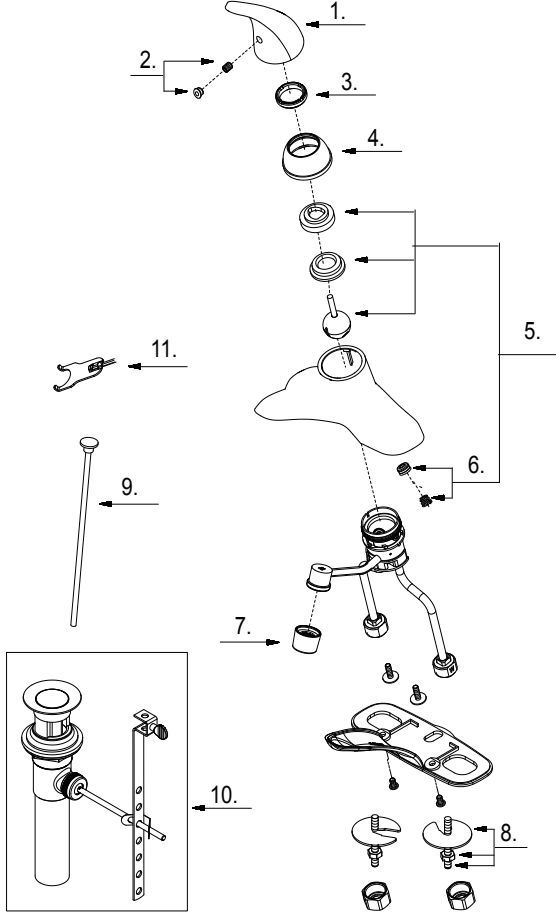
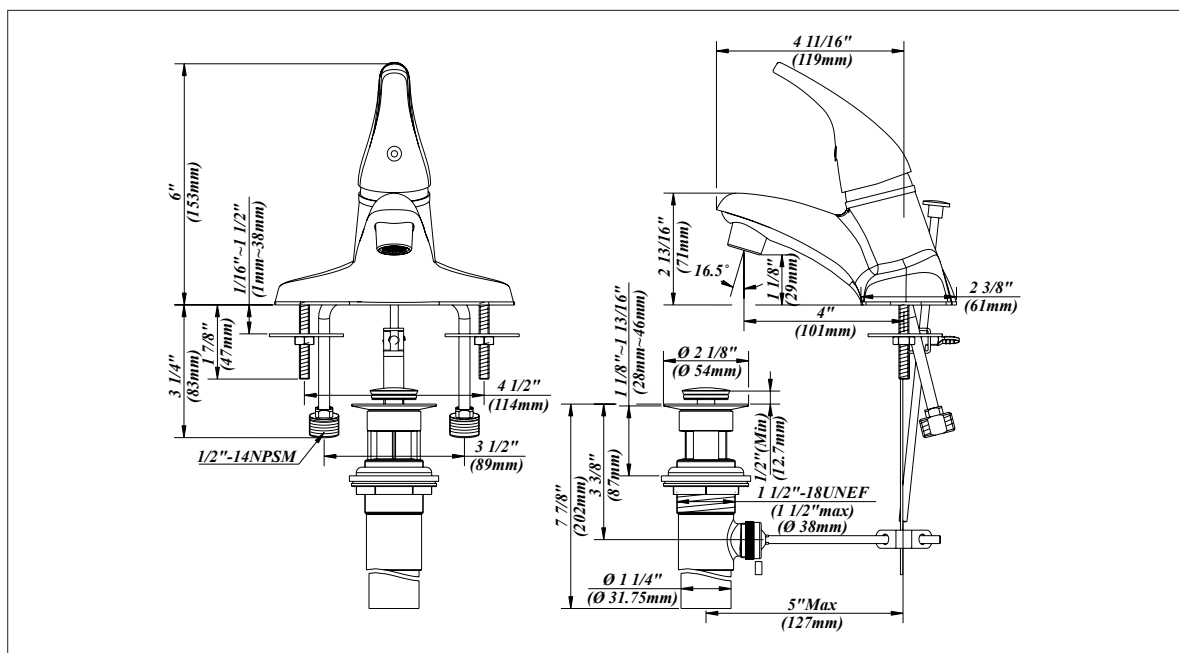
**FAX:** 877-892-1950

Visit Our Web Site : [www.gemlinefaucets.com](http://www.gemlinefaucets.com)

- GLC-500C**       **GLC-500BN**
- GLC-500CL**     **GLC-500BNL**

# 4" Single Handle Lavatory Faucet

| No. | Name                  | Part No.    |
|-----|-----------------------|-------------|
| 1   | Metal Handle          | A069549     |
| 2   | Index Button-Cold/Hot | A66D567     |
| 3   | Lock Nut Set          | A104001     |
| 4   | Trim Cap              | A103022     |
| 5   | Ball Valve Assembly   | A66D641N    |
| 6   | Seat & Spring Set     | A663002     |
| 7   | Aerator               | A500267N-64 |
| 8   | Mounting Hardware     | A663638     |
| 9   | Lift Rod              | A025011     |
| 10  | Pop-up Assembly       | A556200     |
| 11  | Wrench                | A031001NI   |

Product Spec Sheet