

□ **GLV-100C**

□ **GLV-140C**

gemline

## **8" Single Handle Kitchen Faucet**

**Product Spec Sheet**



### **FEATURES & BENEFITS**

- This Product Contains Less Than 0.25% Weighted Average Lead Content On Wetted Surfaces
- Metal Lever Handle
- Stainless Steel Ball Valve
- With Black Side Spray
- Max Flow Rate 1.5 GPM (5.7 L/MIN) At 60 PSI (ASME A112.18.1M/A112.18.1)

GLV-140C  
Chrome Finish

GLV-100C  
Less Side Spray  
Chrome Finish

### **APPROVALS:**

**Meets or Exceeds The Following:**

- \* ANSI/ASME A112.18.1M/A112.18.1
- \* NSF/ANSI 61 - Sec. 9
- \* NSF/ANSI 372
- \* IAPMO/cUPC
- \* CA AB1953



NSF/ANSI 372  
NSF/ANSI 61-9



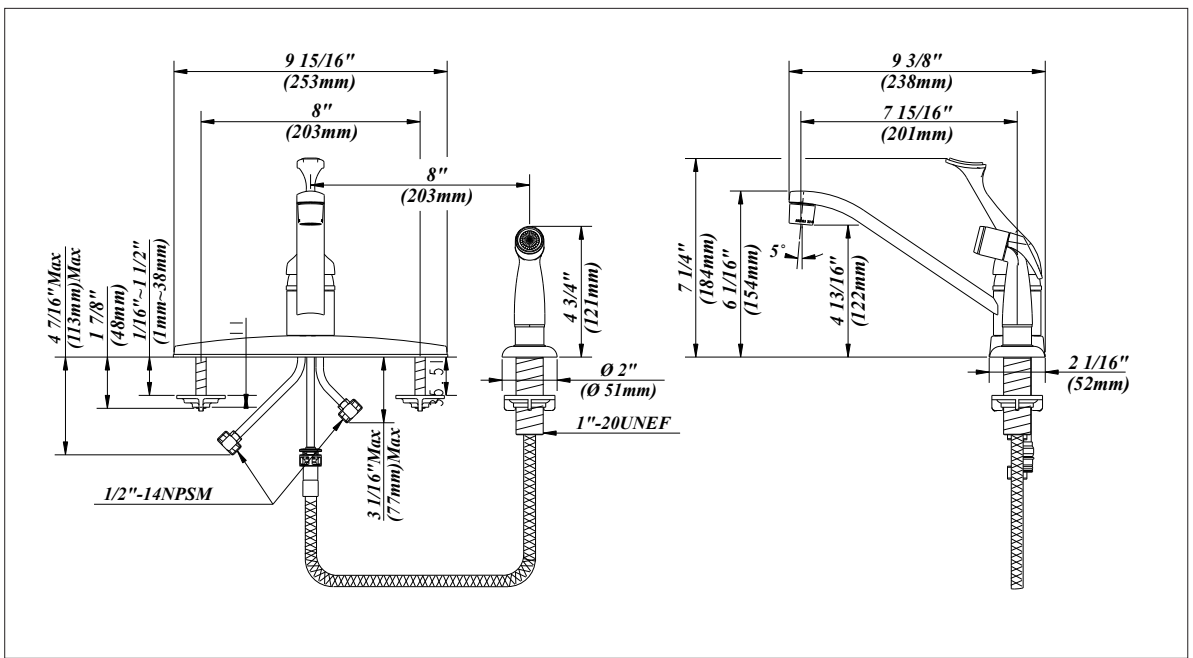
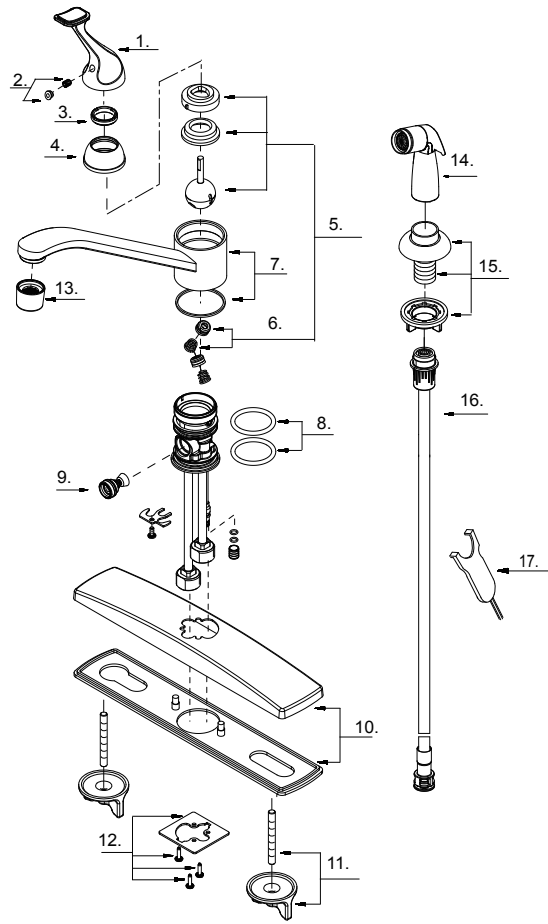
**TEL: 888-649-0605**

**FAX: 877-892-1950**

Visit Our Web Site : [www.gemlinefaucets.com](http://www.gemlinefaucets.com)

# 8" Single Handle Kitchen Faucet

| No. | Name                                    | Part No.   |
|-----|---|------------|
| 1   | Metal Handle                            | A029003    |
| 2   | Index Button-Cold/Hot                   | A66D567    |
| 3   | Locking Nut                             | A104001    |
| 4   | Trim Cap                                | A103022    |
| 5   | Ball Valve Assembly                     | A66D641N   |
| 6   | Seat & Spring Set                       | A663002    |
| 7   | Spout Set                               | A66D589N   |
| 8   | O-Ring Set<br>(Φ1-1/4" ID * Φ1-1/2" OD) | A608220    |
| 9   | Spray Diverter<br>w/Vacuum Breaker      | A501374N   |
| 10  | Cover Plate & Putty Plate               | A66F036-T  |
| 11  | Mounting Hardware                       | A66G421    |
| 12  | Base Mounting Hardware                  | A66G416-T  |
| 13  | Aerator                                 | A500871N   |
| 14  | Side Spray                              | A503000N   |
| 15  | Spray Holder Assembly<br>(2-1/2" L)     | A664255-P  |
| 16  | Spray Hose                              | A512139NKP |
| 17  | Wrench                                  | A031001NI  |



**Product Spec Sheet**