

4" Two Handle Lavatory Faucet

Product Spec Sheet



FEATURES & BENEFITS

- This Product Contains Less Than 0.25% Weighted Average Lead Content On Wetted Surfaces
- Wrist Blade Handles
- Washerless Cartridges
- Max Flow Rate 1.2 gpm (4.5 L/min) at 60 psi (ASME A112.18.1M/A112.18.1)

GLV-400CLB
Less Pop-up
Chrome Finish

APPROVALS:

Meets or Exceeds The Following:

- * ANSI/ASME A112.18.1M/A112.18.1
- * NSF/ANSI/CAN 61 – Sec. 9: Q≤1
- * NSF/ANSI/CAN 372
- * IAPMO/cUPC
- * CA AB1953



NSF/ANSI/CAN 372
NSF/ANSI/CAN 61-9.0.1



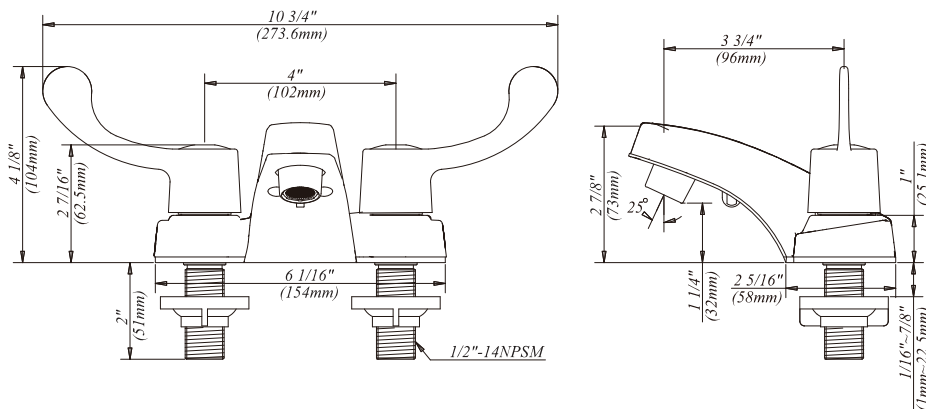
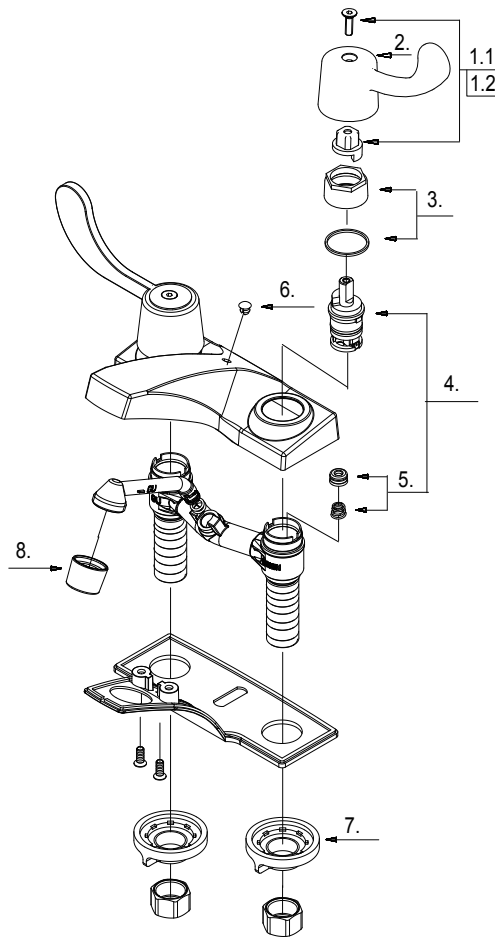
TEL: 888-649-0605

FAX: 877-892-1950

Visit Our Web Site : www.gemlinefaucets.com

4" Two Handle Lavatory Faucet

No.	Name	Part No.
1.1	Handle Adaptor-Cold	A663306C
1.2	Handle Adaptor-Hot	A663306H
2	Metal Handle	A069796
3	Retainer Nut Assembly	A663631
4	Cartridge Assembly	A66D091N
5	Seat & Spring Set	A663002
6	Lift Rod Plug	A028002
7	Lock Nut Set	A504023
8	Aerator	A500267N-64



Product Spec Sheet