

## 4" Single Handle Lavatory Faucet

# Product Spec Sheet



### FEATURES & BENEFITS

GLV-502C  
Chrome Finish

- This Product Contains Less Than 0.25% Weighted Average Lead Content On Wetted Surfaces
- Acrylic Round Handle
- Stainless Steel Ball Valve
- Brass Pop-up
- Max Flow Rate 1.2 gpm (4.5 L/min) at 60 psi (ASME A112.18.1M/A112.18.1)

#### APPROVALS:

Meets or Exceeds The Following:

- \* ANSI/ASME A112.18.1M/A112.18.1
- \* NSF/ANSI/CAN 61 – Sec. 9: Q≤1
- \* NSF/ANSI/CAN 372
- \* IAPMO/cUPC
- \* CA AB1953



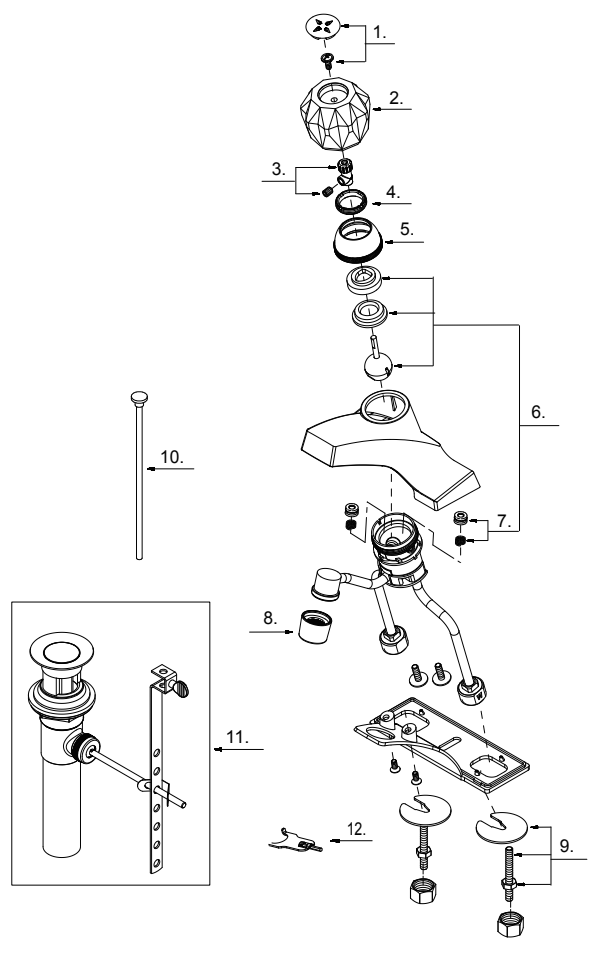
**TEL:** 888-649-0605

**FAX:** 877-892-1950

Visit Our Web Site : [www.gemlinefaucets.com](http://www.gemlinefaucets.com)

# 4" Single Handle Lavatory Faucet

No.	Name	Part No.
1	Index Button-Cold/Hot	A66D566
2	Acrylic Handle	A029000
3	Handle Adaptor	A663024
4	Locking Nut	A104001
5	Trim Cap	A103022
6	Ball Valve Assembly	A66D641N
7	Seat & Spring Set	A663002
8	Aerator	A500267N-64
9	Mounting Hardware	A663638
10	Lift Rod	A025011
11	Pop-up Assembly	A556200
12	Wrench	A031001NI



**Product Spec Sheet**

