

GLV-740C Utility Shower Faucet • Spec Sheet

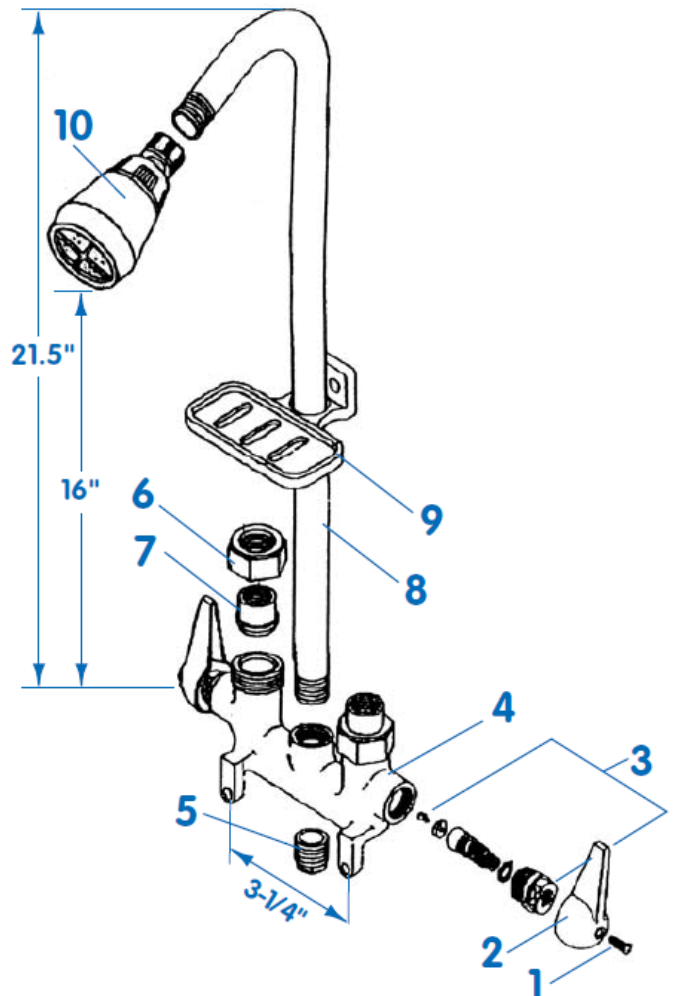


FEATURES & BENEFITS

- Includes: Soap Dish
Shower Head
2 Metal Cross Handles
18" Rise Shower Arm
- 3" Center

MATERIAL SPECIFICATIONS

No.	Part	Material
1	Screw	Brass
2	Handle	Zinc
3	Stopper Seat	Z.P. Brass
4	Body	Z.P. Brass
5	Plug	Z.P. Brass
6	Nut	Z.P. Brass
7	Union	Z.P. Brass
8	Pipe	Z.P. Brass
9	Soap Dish	Aluminum
10	Shower Head	Plastic



 gemline

TEL: 888-649-0605

FAX: 877-892-1950

Visit Our Web Site : www.gemlinefaucets.com