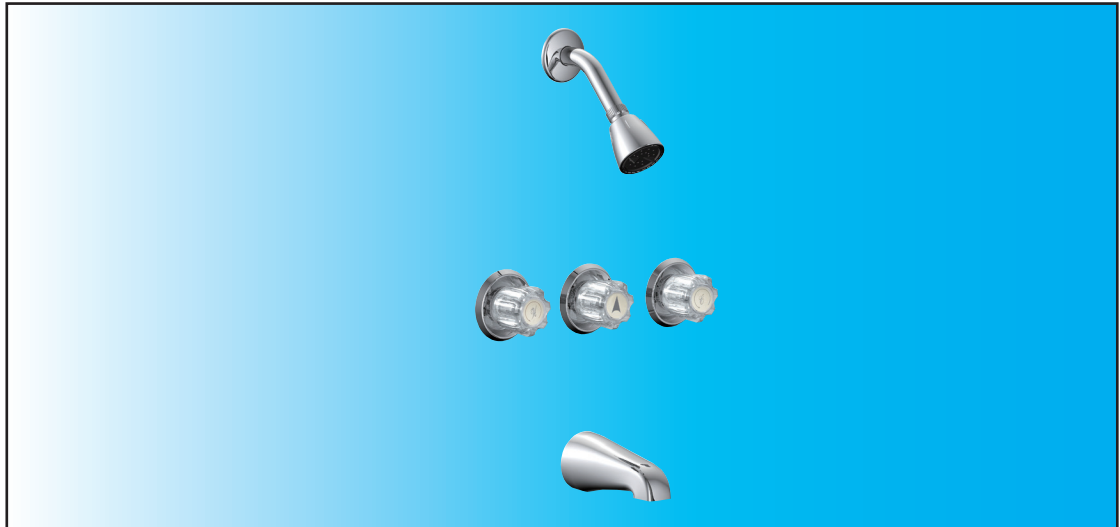


## **Three Handle Tub & Shower Faucet**

# Product Spec Sheet



### **FEATURES & BENEFITS**

- Acrylic Round Handles
- Washerless Cartridges
- Non Pressure Balanced
- Spout Without Diverter
- Max Flow Rate 1.75 gpm (6.6 L/min) at 80 psi
- Min Flow Rate 1.65 gpm (6.25 L/min) at 45 psi (ASME A112.18.1M/A112.18.1)

GLV-872C  
Chrome Finish

#### **APPROVALS:**

**Meets or Exceeds The Following:**

\* ANSI/ASME A112.18.1M/A112.18.1



\* WaterSense Only On Models Containing Showerheads

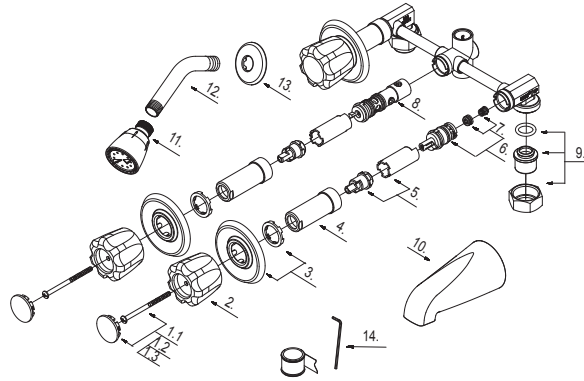
**TEL:** 888-649-0605

**FAX:** 877-892-1950

Visit Our Web Site : [www.gemlinefaucets.com](http://www.gemlinefaucets.com)

# Three Handle Tub & Shower Faucet

No.	Name	Part No.
1.1	Index Button-Cold	A66D694C
1.2	Index Button-Hot	A66D694H
1.3	Index Button-Diverter	A66D694M
2	Acrylic Handle	A029001
3	Escutcheon	A111001-S
4	Sleeve	A216106
5	Stem Extension-Hot	A517000H
6	Cartridge Assembly	A66D636N
7	Seat & Spring Set	A663002
8	Diverter Cartridge	A501016
9	Union Nut	A603668
10	Spout	A132025
11	Shower Head	S1213202
12	Shower Arm	A020002
13	Shower Arm Flange	A019001
14	Hex Wrench (H3.18 *20 mm L * 90 mm L)	A031017NI



# Product Spec Sheet

