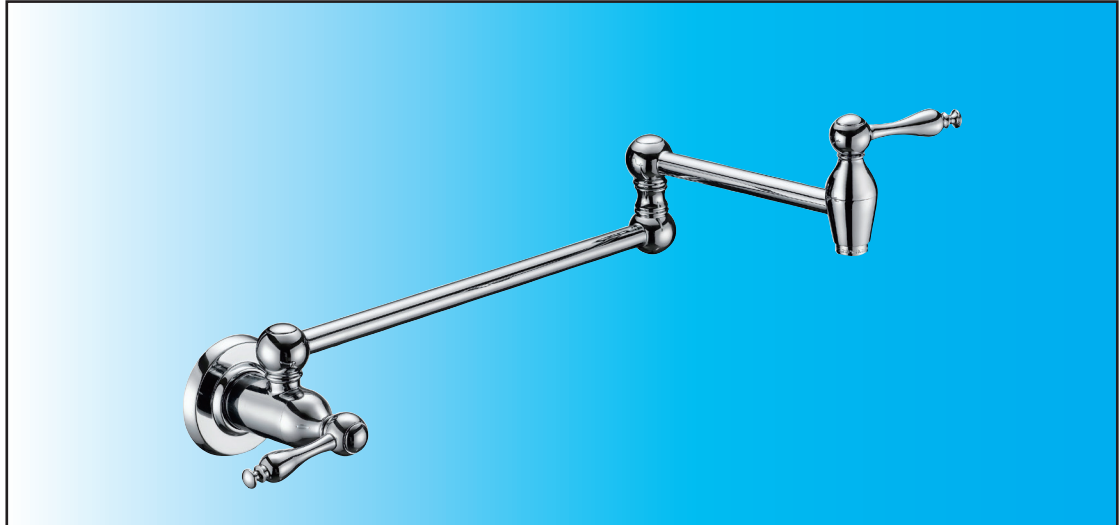


- GLB-190C**       **GLB-190SS**  
 **GLB-190ORB**

gemline

## Single Handle Wall Mount Pot Filler Faucet



# Product Spec Sheet

### FEATURES & BENEFITS

- This Product Contains Less Than 0.25% Weighted Average Lead Content On Wetted Surfaces
- Metal Lever Handles
- Ceramic Cartridges
- Single Hole Wall Mount, Cold Water Only
- 24" Max Spout Reach
- Max Flow Rate 2.2 gpm (8.4 L/min) at 60 psi (ASME A112.18.1M/A112.18.1)

GLB-190C  
Chrome Finish

GLB-190SS  
Stainless Steel Finish

GLB-190ORB  
Oil Rubbed Bronze Finish

#### APPROVALS:

Meets or Exceeds The Following:

- \* ANSI/ASME A112.18.1M/A112.18.1
- \* NSF/ANSI/CAN 61 – Sec. 9: Q≤1
- \* NSF/ANSI/CAN 372
- \* IAPMO/cUPC
- \* CA AB1953



**TEL:** 888-649-0605

**FAX:** 877-892-1950

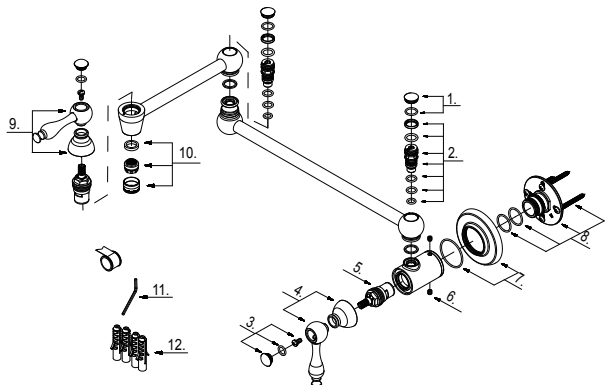
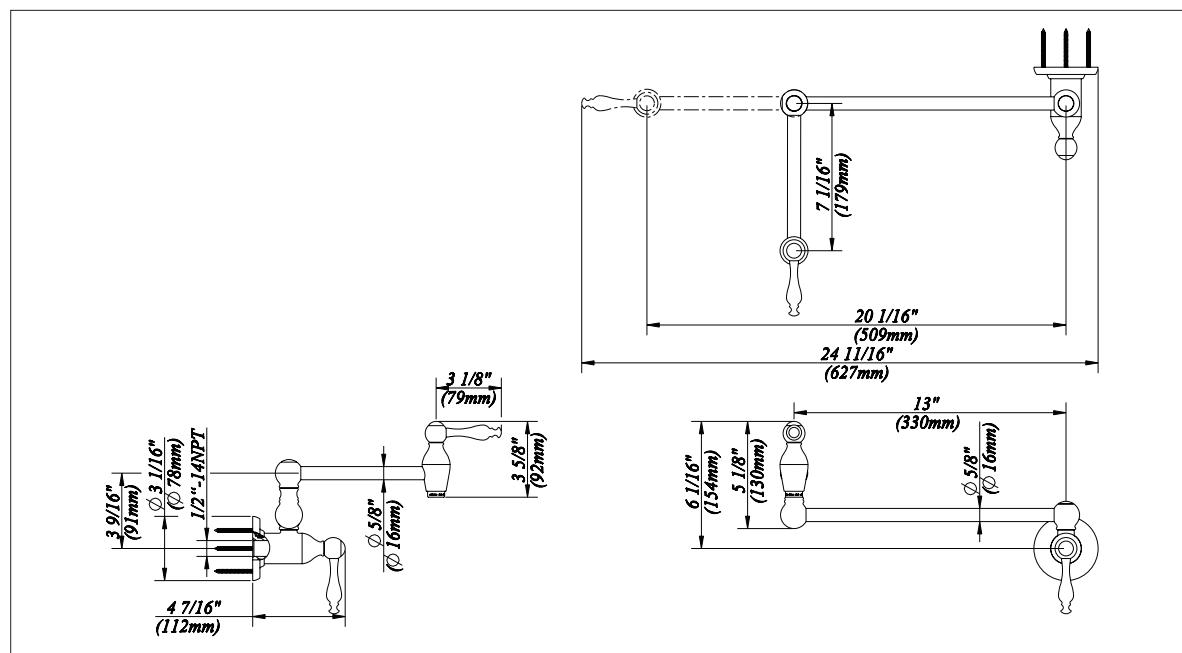
Visit Our Web Site : [www.gemlinefaucets.com](http://www.gemlinefaucets.com)

**GLB-190C**       **GLB-190SS**

**GLB-190ORB**

## Single Handle Wall Mount Pot Filler Faucet

No.	Name	Part No.
1	Spout Cap	A66D162N
2	Support Nut Assembly	A66D926W
3	Handle Cap	A66E797
4	Metal Handle Assembly	A66E798
5	Ceramic Disc Cartridge	A507375W
6	Screw (M5 * 5mm L)	A008003
7	Base Trim Ring	A667729
8	Holding Hardware	A607377W
9	Metal Handle Assembly	A66E799
10	Aerator	A500771N-50
11	Hex Wrench (H2.5 * 19 mm L * 53 mm L)	A031000NI
12	Holding Hardware	A239535

**Product Spec Sheet**