

**GLB-250C**    **GLB-250SS**  
 **GLB-260C**    **GLB-260SS**    **GLB-260ORB**

gemline

## 8" Two Handle Kitchen Faucet



### FEATURES & BENEFITS

- This Product Contains Less Than 0.25% Weighted Average Lead Content On Wetted Surfaces
- Metal Lever Handles
- Ceramic Cartridges
- With Side Spray
- Max Flow Rate 1.5 GPM (5.7 L/MIN) At 60 PSI (ASME A112.18.1M/A112.18.1)

#### APPROVALS:

Meets or Exceeds The Following:

- \* ANSI/ASME A112.18.1M/A112.18.1
- \* NSF/ANSI 61 - Sec. 9
- \* NSF/ANSI 372
- \* IAPMO/cUPC
- \* CA AB1953

GLB-260C  
Chrome Finish

GLB-260SS  
Stainless Steel Finish

GLB-260ORB  
Oil Rubbed Bronze Finish

GLB-250C  
Less Side Spray  
Chrome Finish

GLB-250SS  
Less Side Spray  
Stainless Steel Finish



NSF/ANSI 372  
NSF/ANSI 61-9



**TEL:** 888-649-0605

**FAX:** 877-892-1950

Visit Our Web Site : [www.gemlinefaucets.com](http://www.gemlinefaucets.com)

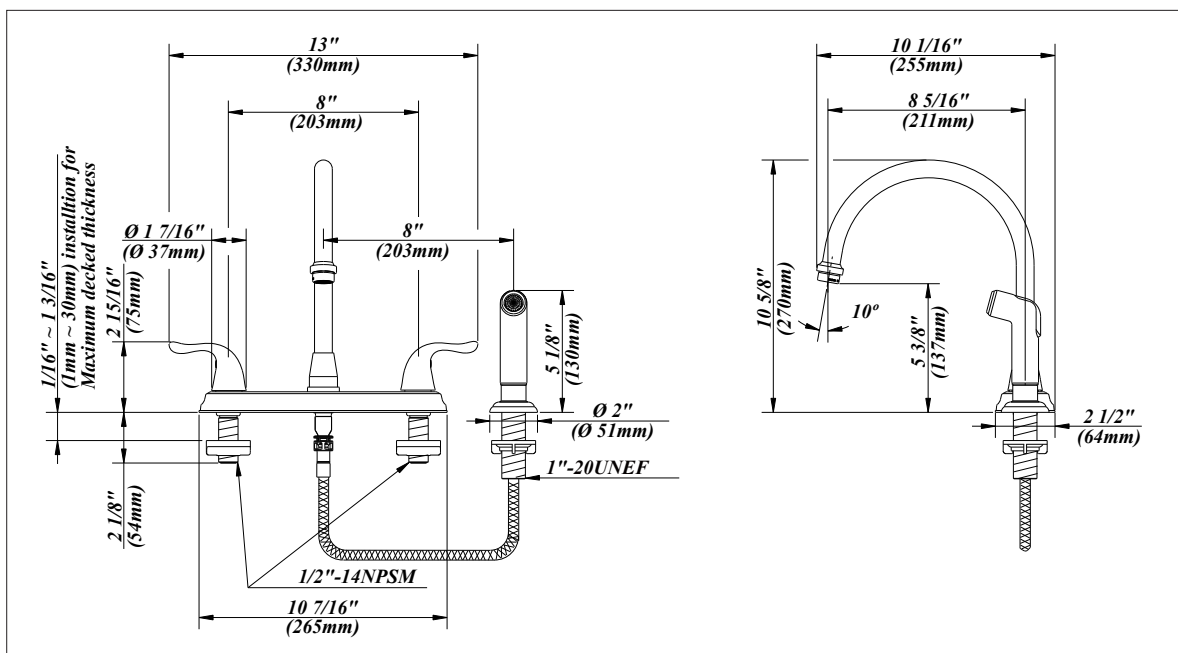
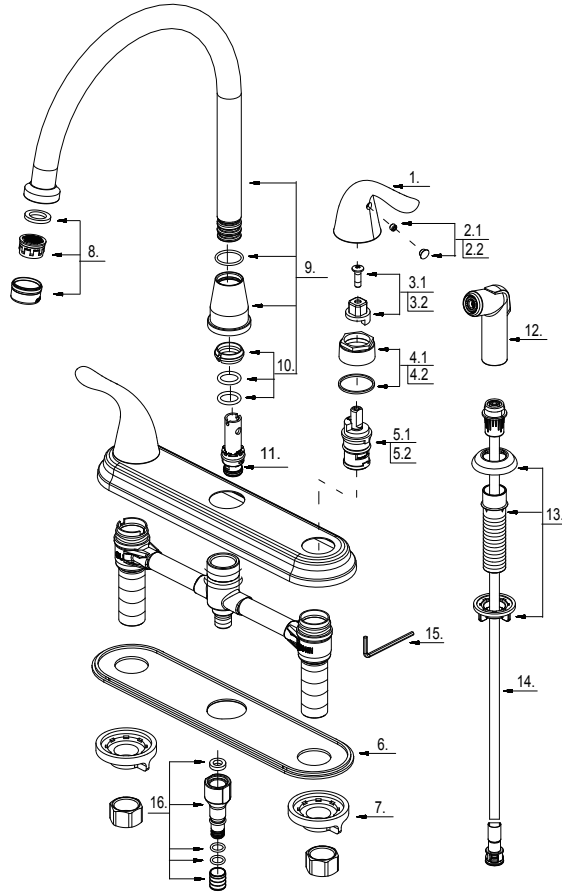
Product Spec Sheet

**GLB-250C**    **GLB-250SS**  
 **GLB-260C**    **GLB-260SS**    **GLB-260ORB**

gemline

# 8" Two Handle Kitchen Faucet

No.	Name	Part No.
1	Metal Handle	A069115CP
2.1	Index Button-Cold	A603595C
2.2	Index Button-Hot	A603595H
3.1	Handle Adaptor-Cold	A66D574C
3.2	Handle Adaptor-Hot	A66D574H
4	Retainer Nut & Washer	A663629
5.1	Ceramic Disc Cartridge-Cold	A507104N
5.2	Ceramic Disc Cartridge-Hot	A507103N
6	Putty Plate	A011003
7	Lock Nut Set	A504023
8	Aerator	A500872N-51
9	Spout Assembly	A666125N
10	Spout Seal Kit	A663044N
11	Spray Diverter w/Vacuum Breaker	A66G391
12	Side Spray	A503002N
13	Spray Holder Assembly (3-15/16" L)	A664250-P
14	Spray Hose	A512139N
15	Hex Wrench (H2.5 * 19 mm L * 53 mm L)	A031000NI
16	Sealing Kit	A66G352N



Product Spec Sheet

TEL: 888-649-0605    FAX: 877-892-1950

Visit Our Web Site : [www.gemlinefaucets.com](http://www.gemlinefaucets.com)