

GLB-250CWJP
 GLB-260CWJP

GLB-250SSWJP
 GLB-260SSWJP

gemline

8" Two Handle Kitchen Faucet



FEATURES & BENEFITS

- This Product Contains Less Than 0.25% Weighted Average Lead Content On Wetted Surfaces
- Metal Lever Handles
- Washerless Cartridges
- With Side Spray
- Max Flow Rate 1.5 GPM (5.7 L/MIN) At 60 PSI (ASME A112.18.1M/A112.18.1)

APPROVALS:

Meets or Exceeds The Following:

- * ANSI/ASME A112.18.1M/A112.18.1
- * NSF/ANSI 61 - Sec. 9
- * NSF/ANSI 372
- * IAPMO/cUPC
- * CA AB1953

GLB-260CWJP
Chrome Finish

GLB-260SSWJP
Stainless Steel Finish

GLB-250CWJP
Less Side Spray
Chrome Finish

GLB-250SSWJP
Less Side Spray
Stainless Steel Finish



NSF/ANSI 372
NSF/ANSI 61-9



TEL: 888-649-0605

FAX: 877-892-1950

Visit Our Web Site : www.gemlinefaucets.com

Product Spec Sheet

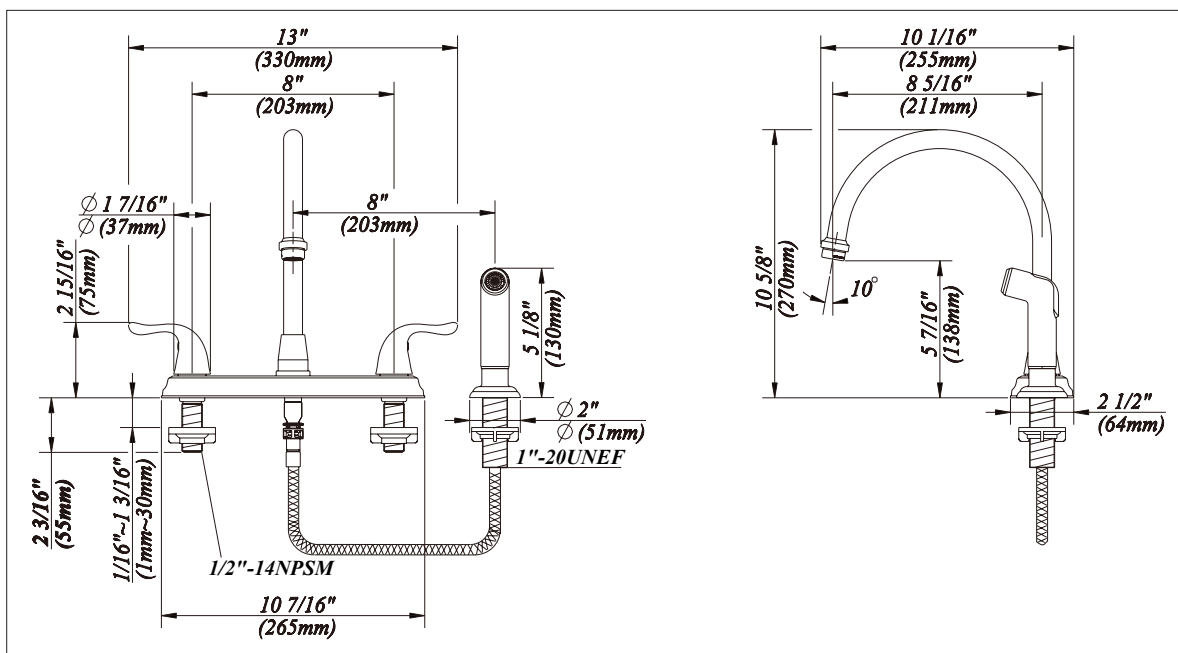
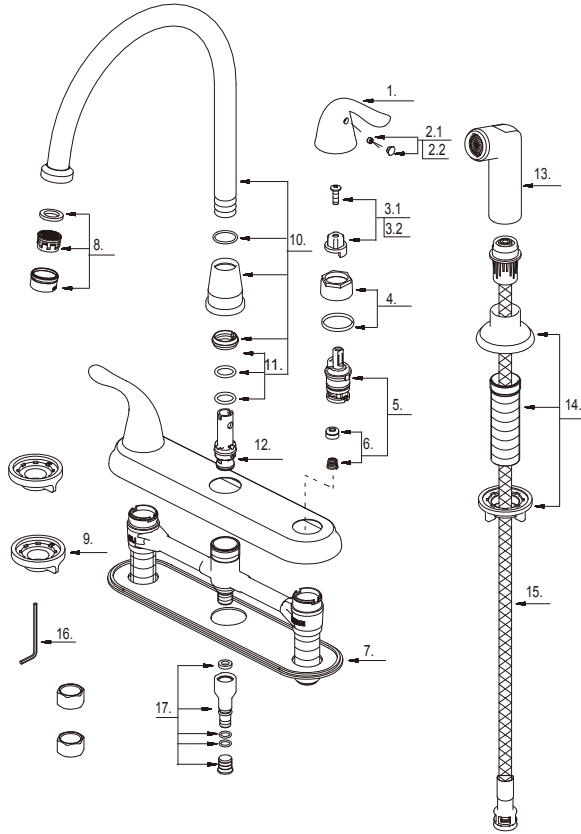
GLB-250CWJP
 GLB-260CWJP

GLB-250SSWJP
 GLB-260SSWJP

gemline

8" Two Handle Kitchen Faucet

No.	Name	Part No.
1	Metal Handle	A069115
2.1	Index Button-Cold	A603595C
2.2	Index Button-Hot	A603595H
3.1	Handle Adaptor-Cold	A66D563C
3.2	Handle Adaptor-Hot	A66D563H
4	Retainer Nut & Washer	A66D630
5	Cartridge Assembly	A663003
6	Spring & Seat Set	A663002
7	Putty Plate	A011003
8	Aerator	A500872N
9	Lock Nut Set	A504023
10	Spout Assembly	A666125N
11	Spout Seal Kit	A663044N
12	Spray Diverter w/Vacuum Breaker	A66G391
13	Side Spray	A503002N
14	Spray Holder Assembly (3-15/16" L)	A220008
15	Spray Hose	A512139N
16	Hex Wrench (H 2.5 * 19 mm L * 53 mm L)	A031000NI
17	Sealing Kit	A66G352N



Product Spec Sheet

TEL: 888-649-0605 FAX: 877-892-1950

Visit Our Web Site : www.gemlinefaucets.com