

**GLB-400CL**  
 **GLB-400BN**

**GLB-400C**  
 **GLB-400ORB**

gemline

## 4" Two Handle Lavatory Faucet

# Product Spec Sheet



### FEATURES & BENEFITS

- This Product Contains Less Than 0.25% Weighted Average Lead Content On Wetted Surfaces
- Metal Lever Handles
- Ceramic Cartridges
- Brass Pop-up
- Max Flow Rate 1.2 GPM (4.5 L/MIN) At 60 PSI (ASME A112.18.1M/A112.18.1)

#### APPROVALS:

Meets or Exceeds The Following:

- \* ANSI/ASME A112.18.1M/A112.18.1
- \* NSF/ANSI 61 - Sec. 9
- \* NSF/ANSI 372
- \* IAPMO/cUPC
- \* CA AB1953

GLB-400C  
Chrome Finish

GLB-400BN  
Brushed Nickel Finish

GLB-400ORB  
Oil Rubbed Bronze Finish

GLB-400CL  
Less Pop-up  
Chrome Finish



NSF/ANSI 372  
NSF/ANSI 61-9



**TEL:** 888-649-0605

**FAX:** 877-892-1950

Visit Our Web Site : [www.gemlinefaucets.com](http://www.gemlinefaucets.com)

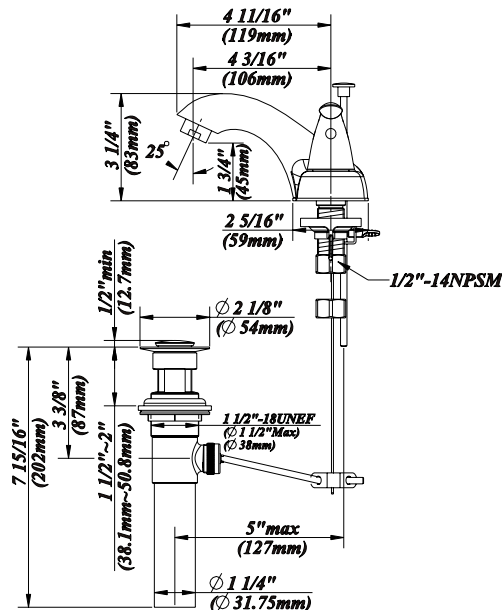
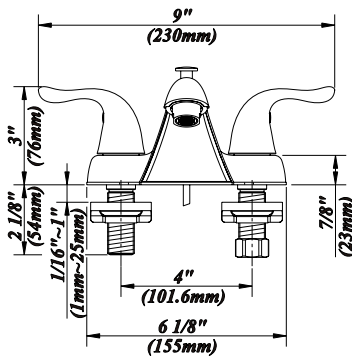
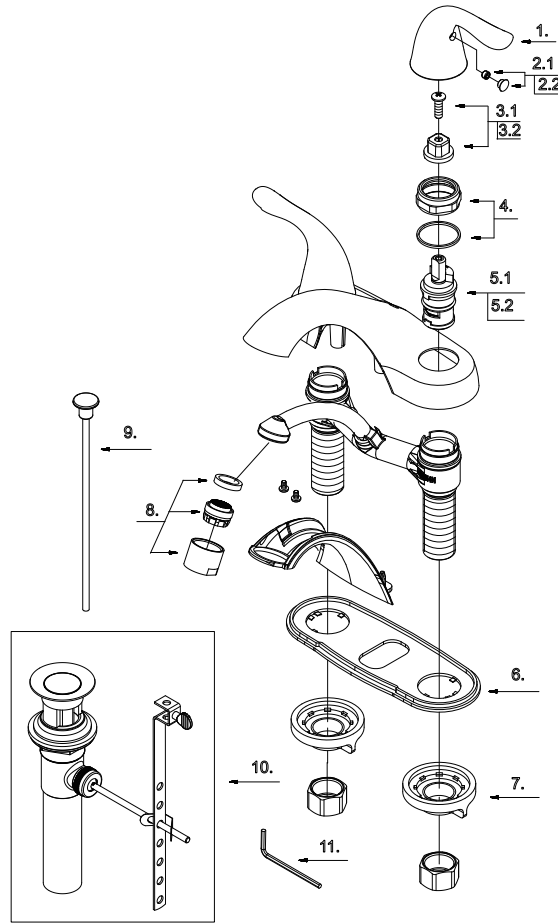
**GLB-400CL**  
 **GLB-400BN**

**GLB-400C**  
 **GLB-400ORB**

gemline

# 4" Two Handle Lavatory Faucet

No.	Name	Part No.
1	Metal Handle Assembly	A069115
2.1	Index Button-Cold	A603595C
2.2	Index Button-Hot	A603595H
3.1	Handle Adaptor-Cold	A66D574C
3.2	Handle Adaptor-Hot	A66D574H
4	Retainer Nut & Washer	A663631
5.1	Ceramic Disc Cartridge -Cold	A507104N
5.2	Ceramic Disc Cartridge -Hot	A507103N
6	Putty Plate	A011005
7	Lock Nut Set	A504023
8	Aerator	A500124N-55
9	Lift Rod	A025011
10	Pop-up Assembly	A556200
11	Hex Wrench (H2.5 * 19 mm L * 53 mm L)	A031000NI



Product Spec Sheet

TEL: 888-649-0605 FAX: 877-892-1950

Visit Our Web Site : [www.gemlinefaucets.com](http://www.gemlinefaucets.com)