

□ **GLH-151C**

□ **GLH-151SS**

gemline

Single Handle Pulldown Kitchen Faucet

Product Spec Sheet



FEATURES & BENEFITS

- This Product Contains Less Than 0.25% Weighted Average Lead Content On Wetted Surfaces
- Ceramic Cartridge
- Metal Lever Handle
- Optional Deck Plate Included
- Max Flow Rate 1.75 gpm (6.6 L/min) at 60 psi

GLH-151C
Chrome Finish

GLH-151SS
Stainless Steel Finish

APPROVALS:

Meets or Exceeds The Following:

- * NSF/ANSI 61 - Sec. 9
- * NSF/ANSI 372
- * IAPMO/cUPC
- * CA AB1953



TEL: 888-649-0605

FAX: 877-892-1950

Visit Our Web Site : www.gemlinefaucets.com

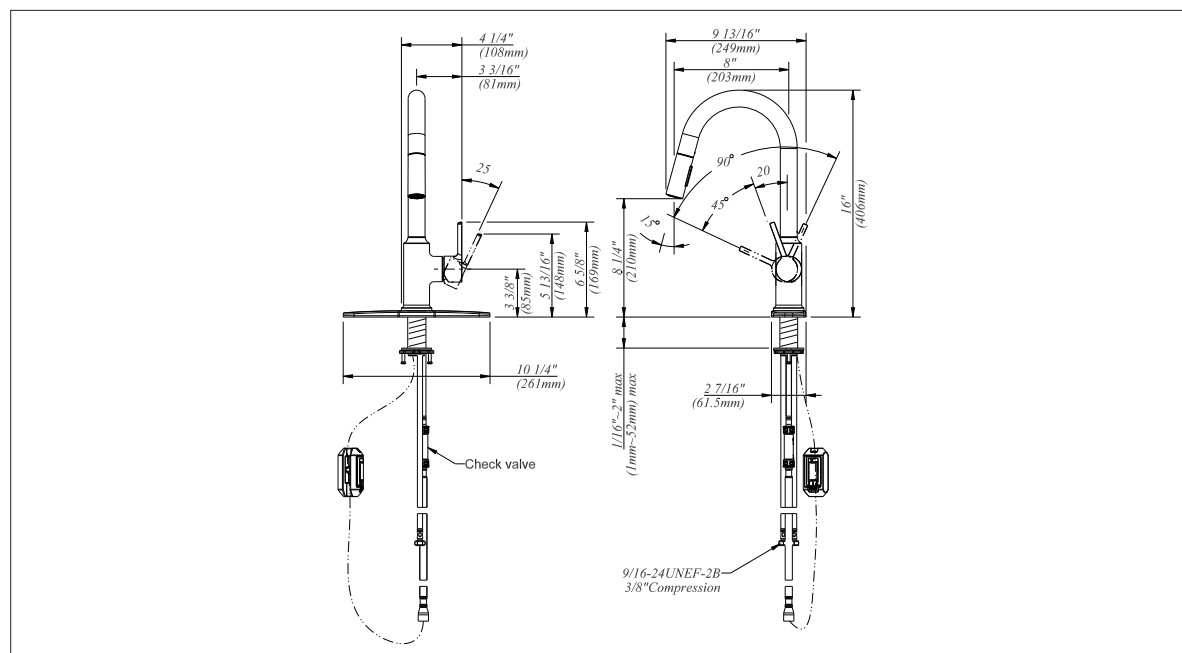
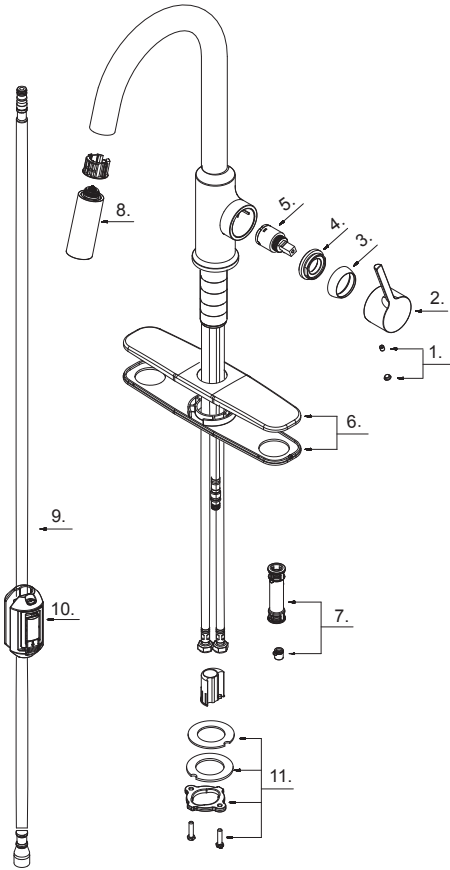
□ **GLH-151C**

□ **GLH-151SS**

gemline

Single Handle Pulldown Kitchen Faucet

No.	Name	Part No.
1	Screw & Plug	A66D558
2	Metal Handle	A079086
3	Handle Trim Cap	A103121
4	Adjusting Ring	A104332
5	Ceramic Disc Cartridge	A507906N-31
6	Cover Plate Assembly	A667003-S
7	Hose Adapter	A663123N
8	Pull-Down Spray Head	A568009N
9	Spray Hose	A515111W
10	Weight	A504103ZN
11	Mounting Hardware	A60317



Product Spec Sheet