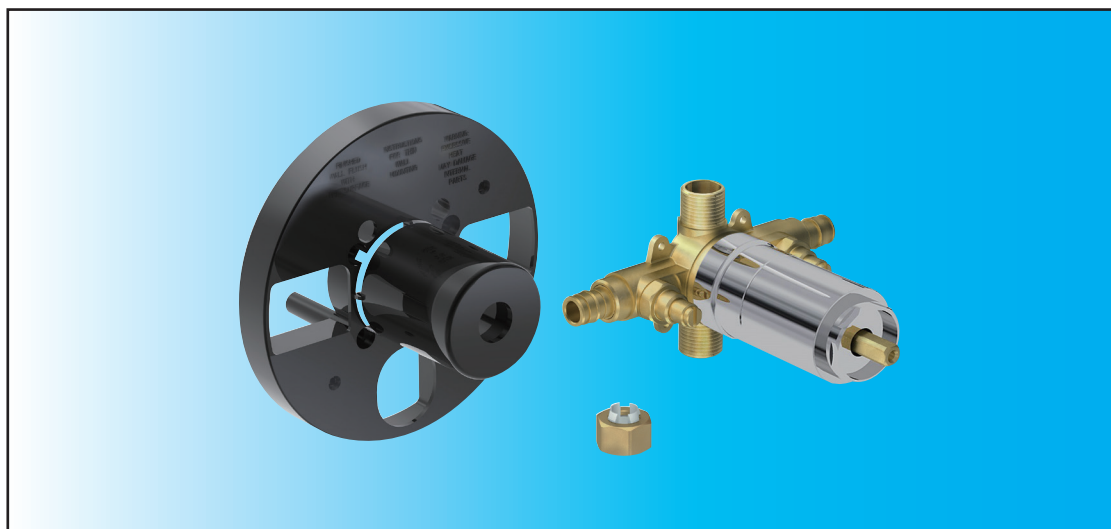


Universal Pressure Balancing Valve Body

Product Spec Sheet



FEATURES & BENEFITS

- Washerless Cartridge
- Pex A Connections ASTM F1960 Standard
- Integral Stops

GLSR-799AWS
Chrome Finish

APPROVALS:

Meets or Exceeds The Following:

- * ANSI/ASME A112.18.1
- * IAPMO/cUPC
- * ASSE 1016-2005



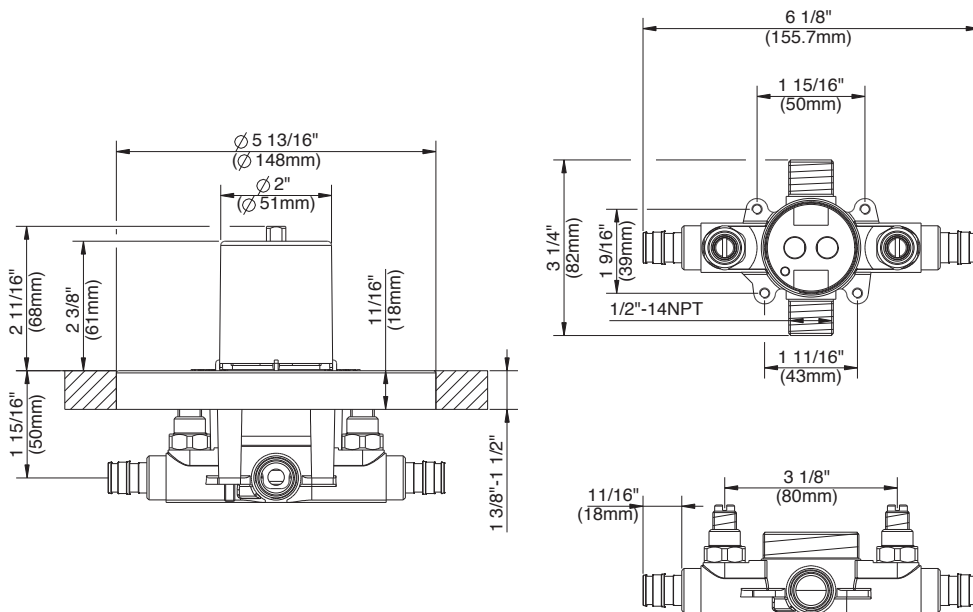
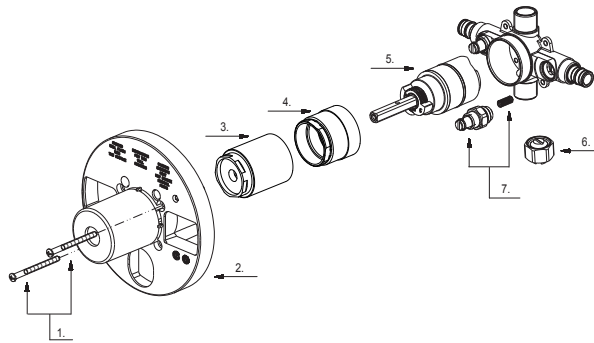
TEL: 888-649-0605

FAX: 877-892-1950

Visit Our Web Site : www.gemlinefaucets.com

Universal Pressure Balancing Valve Body

No.	Name	Part No.
1	Screw Set	A608519
2	Plaster Guard	A127211KP
3	Sleeve	A103322
4	Retainer Nut	A103310-Z
5	Cartridge Assembly	A507902
6	Plug	A028452
7	Check Valve	A603120



Product Spec Sheet