

□ **GLV-402C**

□ **GLV-402CL**

gemline

4" Two Handle Lavatory Faucet

Product Spec Sheet



FEATURES & BENEFITS

- This Product Contains Less Than 0.25% Weighted Average Lead Content On Wetted Surfaces
- Acrylic Round Handles
- Washerless Cartridges
- Brass Pop-up
- Max Flow Rate 1.2 GPM (4.5 L/MIN) At 60 PSI (ASME A112.18.1M/A112.18.1)

GLV-402C
Chrome Finish

GLV-402CL
Less Pop-up
Chrome Finish

APPROVALS:

Meets or Exceeds The Following:

- * ANSI/ASME A112.18.1M/A112.18.1
- * NSF/ANSI 61 - Sec. 9
- * NSF/ANSI 372
- * IAPMO/cUPC
- * CA AB1953



NSF/ANSI 372
NSF/ANSI 61-9



TEL: 888-649-0605

FAX: 877-892-1950

Visit Our Web Site : www.gemlinefaucets.com

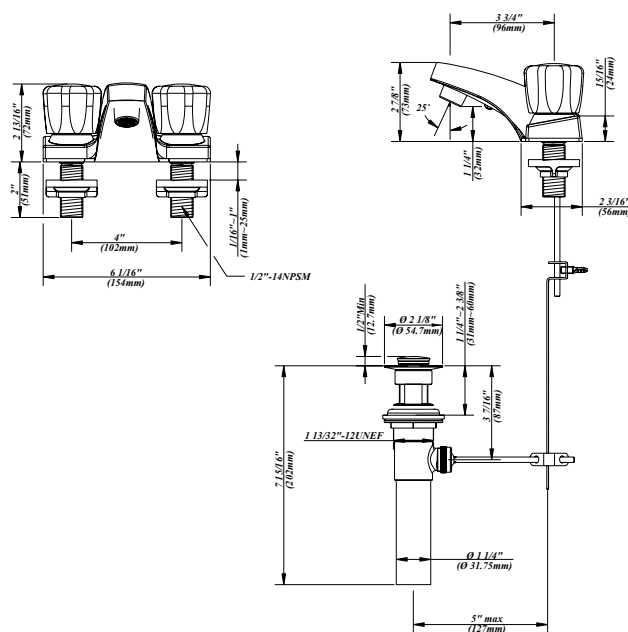
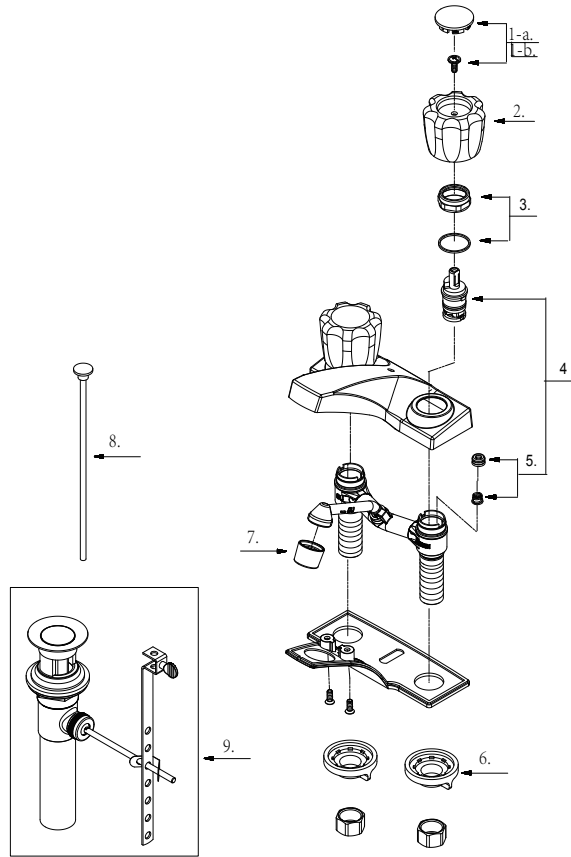
□ **GLV-402C**

□ **GLV-402CL**

gemline

4" Two Handle Lavatory Faucet

No.	Name	Part No.
1-a	Index Button-Cold	A66E233C
1-b	Index Button-Hot	A66E233H
2	Acrylic Handle	A029001
3	Retainer Nut & Washer	A66D639
4	Cartridge Assembly	A66D636N
5	Seat & Spring Set	A663002
6	Lock Nut Set	A504023
7	Aerator	A500267N-64
8	Lift Rod	A025011
9	Pop-up Assembly	A556200



Product Spec Sheet

TEL: 888-649-0605 FAX: 877-892-1950

Visit Our Web Site : www.gemlinefaucets.com